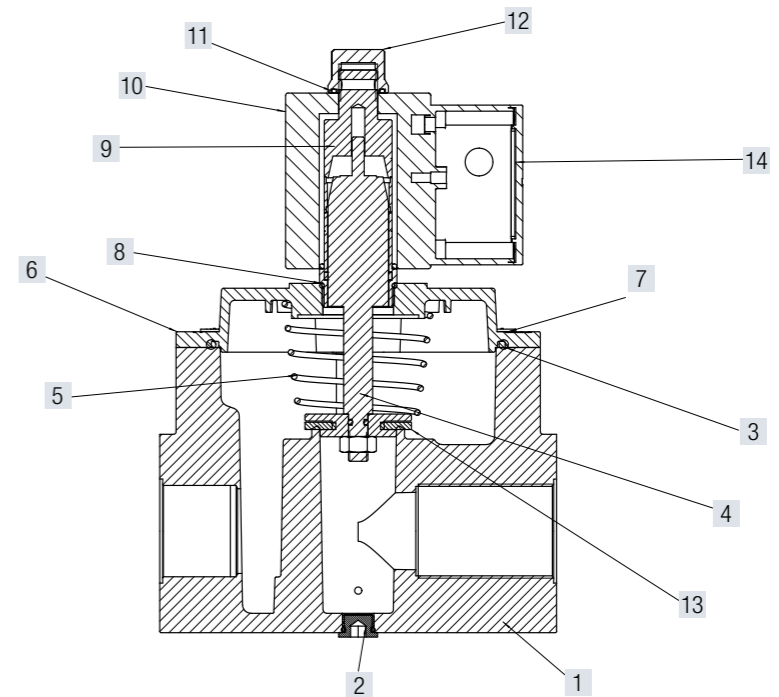


AUTOMATIC GAS VALVES Fast Opening / Fast Closing
1 ¼", 1 ½" and 2" – Pmax 360 mbar



Code	Description	Dimension	Pmax
AV032FO	Gas valve fast opening	1 ¼"	360 mbar
AV040FO	Gas valve fast opening	1 ½"	360 mbar
AV050FO	Gas valve fast opening	2"	360 mbar
AVD32FO	Gas valve fast opening	DN32	360 mbar
AVD40FO	Gas valve fast opening	DN40	360 mbar
AVD50FO	Gas valve fast opening	DN50	360 mbar

AV032FO-FR	Gas valve fast opening Flow regulation	1 ¼"	360 mbar
AV040FO-FR	Gas valve fast opening Flow regulation	1 ½"	360 mbar
AV050FO-FR	Gas valve fast opening Flow regulation	2"	360 mbar
AVD32FO-FR	Gas valve fast opening Flow regulation	DN32	360 mbar
AVD40FO-FR	Gas valve fast opening Flow regulation	DN40	360 mbar
AVD50FO-FR	Gas valve fast opening Flow regulation	DN50	360 mbar

CPI-2	Control position indicator
-------	----------------------------

TECHNICAL FEATURES

Pmax 360 mbar

Inlet connection -outlet Thread gas 1 ¼", 1 ½" and 2" - ISO 228
 DN32 DN40 DN50 - Sliding Aluminium flange PN10

Opening time <1 second
Closing time <1 second

Max number of operations 20 per minute

Incorporated AISI 303 steel mesh filter on request

Supply voltage 230V (-15%+10%) 50-60Hz
 110V (-15%+10%) 50-60Hz
 24Vdc (-15%+10%) 50-60Hz

Power 230Vac1
 1/4"-11/2"-PeakPower40W- Maintain power4W
 2"-Peakpower130W- Maintain power 1,5W
 Coils to class F copper wire class H

Use Non – aggressive gases – Family 1 – 2 – 3 and air

Test point 5 connections
 Screw ¼" NPT

Working Temperature - 20 °C – 60 °C

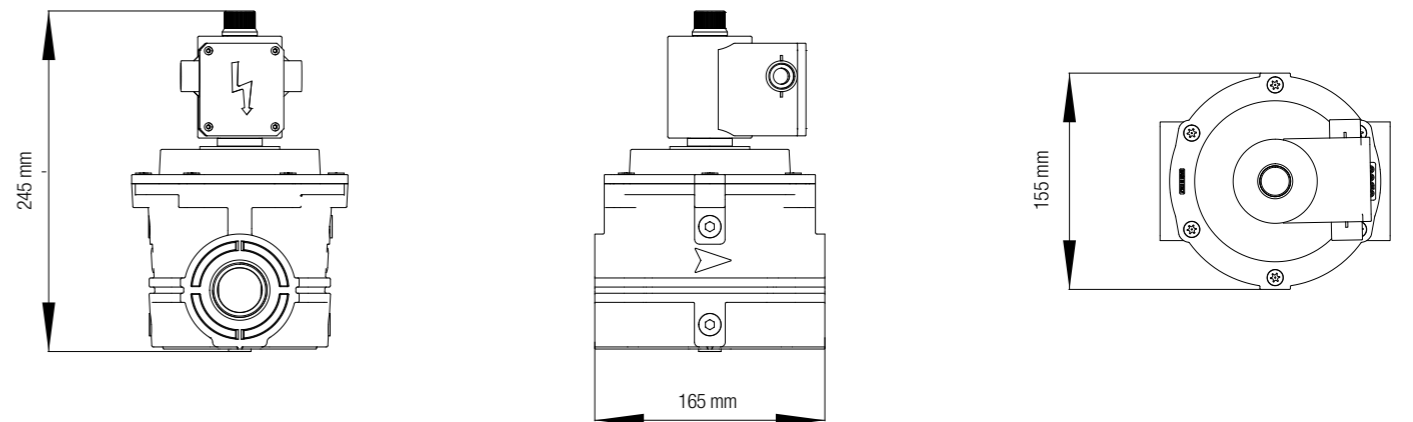
Approval EN161

Protection degree IP65

Materials:

Complete Body Die – Cast Aluminium Gd – AISi12Cu - EN AB 46100

- | | | | |
|---|-------------|----|--------------|
| 1 | Body | 8 | O-Ring |
| 2 | Screw Plugs | 9 | Pilot |
| 3 | O-Ring | 10 | Coil |
| 4 | Plunger | 11 | O-Ring |
| 5 | Spring | 12 | Locking Ring |
| 6 | Cover | 13 | Gasket |
| 7 | Screw | 14 | Connector |



Dimension	1 ¼"	1 ½"	2"
WEIGHT (kgs)	4,2	4,2	4,6